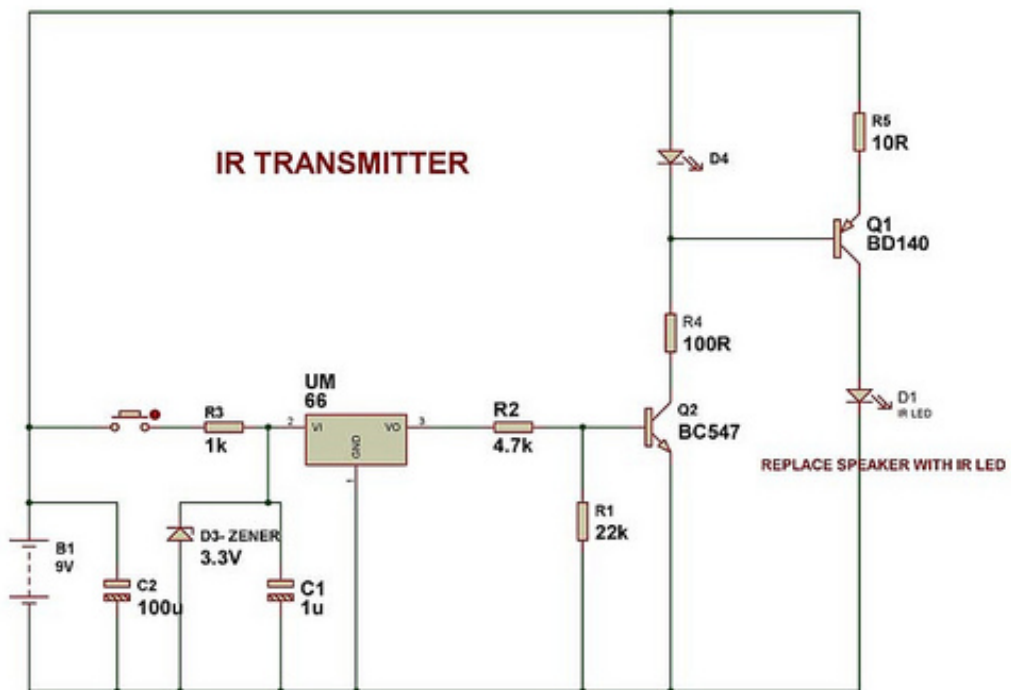
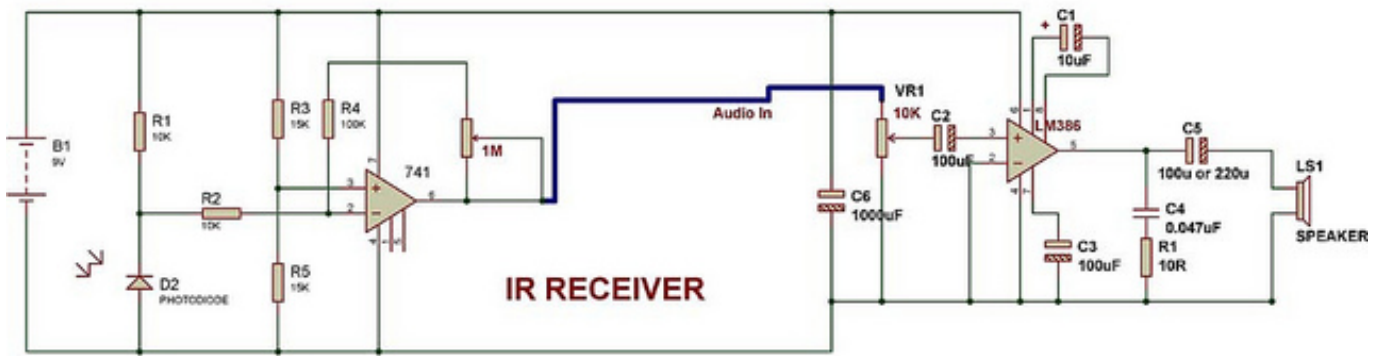

DOWNLOAD



[Infrared Audio Transmitter And Receiver Project](#)



[Infrared Audio Transmitter And Receiver Project](#)

DOWNLOAD



30 Oct 2011 . The circuit can be divided into two parts: IR music transmitter and . The IR music receiver uses popular op-amp IC A741 and audio-frequency.. 29 Sep 2016 . On the transmitter side, music is fed to the circuit and it is transmitted to infrared LED via an amplifying transistor so that the audio signals can.. 18 Oct 2017 - 16 min - Uploaded by GrandadIsAnOldManInfrared Audio Transmitter and Receiver PART 1. Another one of those cheap electronic kits .. 26 Jan 2017 - 19 min - Uploaded by Kris CochraneInfrared IR audio transmitter electronics kit build / tutorial. Kris Cochrane. Loading .. Using this circuit, audio musical notes can be generated and can be heard up to a distance of 10 meters. The receiver can be placed at a maximum distance of.. 347 products . A wide variety of ir audio transmitter receiver options are available to you, such . Tags: Wireless Charging Kit Wireless 50m Video Transmission.. Infrared Based Music Transmitter and Receiver: Several years ago, I had . In this project, music from an audio source can be transmitted wirelessly via infrare.. 26 Nov 2017 - 3 min - Uploaded by Riaan & TechnologyA simple IR audio transmitter and receiver circuit which can transmit audio signals up to 4 .. Lots of infrared IR transmitters projects and circuits with theory that will make them easy to build. . is used to extend the range of an infrared transmitter used at an audio [.]. This infrared transmitter can be used with this infrared receiver.. Below is conceptual view of how an IR transmitter receiver pair works. IR system . Assuming that you have the IR library, go to your Arduino project directory:.. 7 Apr 2010 . Here is a simple IR audio link that can be used to transmit audio signals up to 4 meters. . Use 9V PP3 batteries for powering the transmitter and receiver. . i have mini project and i used simple RF with IR led's ., i have a.. 19 Oct 2015 . This is a simple IR audio link circuit which is used to transmit audio signals wirelessly. This IR audio link is able transmit audio signals up to 4.. 23 Jan 2014 . Using this low-cost project one can reproduce audio from TV without . and reflectors with IR sensors comprising transmitters and receivers.. Optical receiver employs a two stage amplifying circuit and some filter circuits to . infrared audio transmitter can be described as follows three steps. (1) The.. This is a simple IR audio link circuit which is used to transmit audio signals wirelessly. This IR audio link is able transmit audio signals up to 4 meters.. 8 May 2012 . An infrared based music transmitter and receiver is made up of three different . You can make this project using phototransistor as well as photodiode. . b. Remove LED from the 741 module and connect with Audio amplifier.. 26 Sep 2018 . In this article we will learn how to build a Crude Wireless Audio Transfer Circuit Using IR LEDs.. 5 Dec 2017 . Using this IR transmitter/receiver & music generator circuit, audio musical notes can be generated and heard up to a distance of 10 metres.. In this project, we designed and implement a wireless optical transmitter and receiver system that established an audio communication at some distances with.. 25 Sep 2011 . i need to do a project which is about IR AUDIO TRANSMITTER AND RECEIVER to amplify the audio signal to headphone the circuit is as. 2bd5cbcf56

[dirt 2 crack download chomikuj](#)

[Operazione Crossbow download di film mp4](#)

[modeldreamgirl cindy mdg cd11 | tested](#)

[mesimdhenia si art apo shkence.rar](#)

[hawx 2 skidrow crack only download hp](#)

[Evil Promotion: Part 1 film completo in italiano download gratuito hd 1080p](#)

[warhammer legends of the old west showdown.pdf](#)

[cantina sociale castelnuovo don bosco orari](#)

[dan haerle scales for jazz improvisation.pdf 35](#)

[catch the beat t ski valley zippy](#)